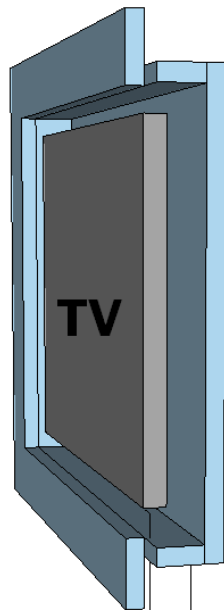


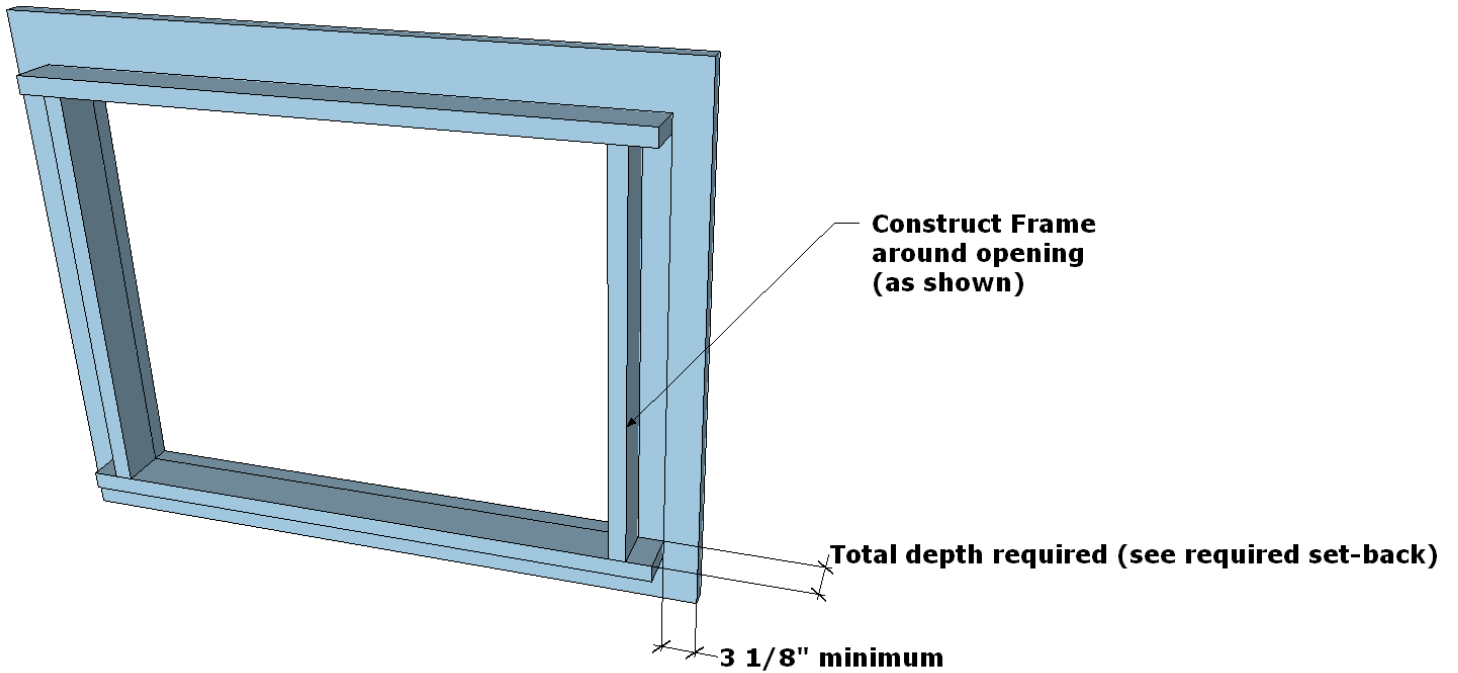
Step 1a - Required Clearances



Front face of TV must be set-back 2" *
from finished face of fireplace enclosure

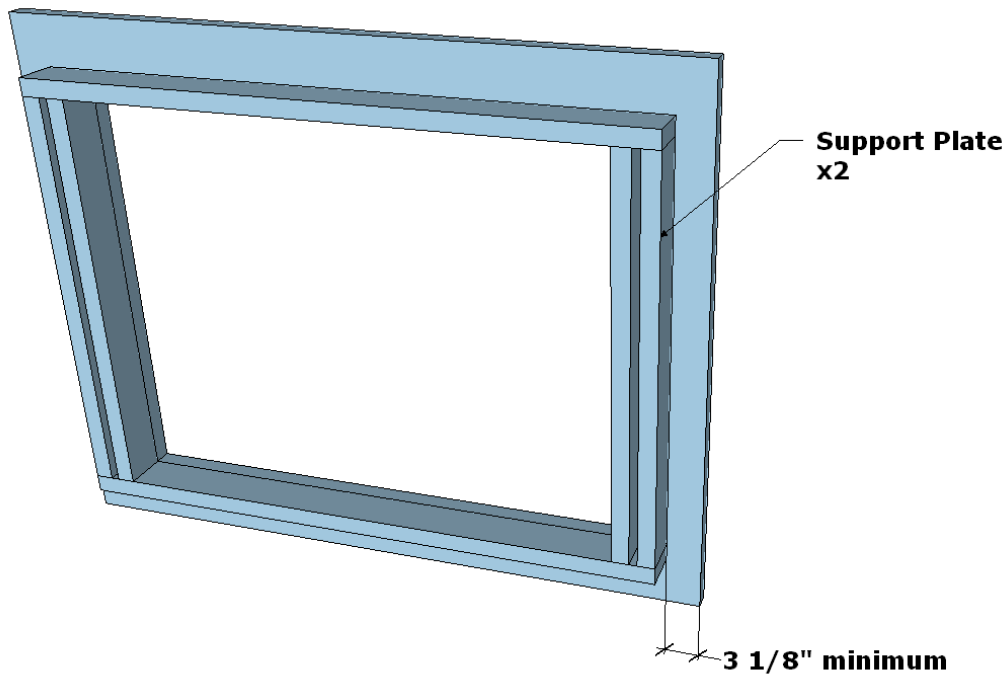
2" set-back (front face of fireplace enclosure)
+ tv thickness
+ tv mounting bracket
= total depth required

Step 1b - Required Set-back (Cross-section)



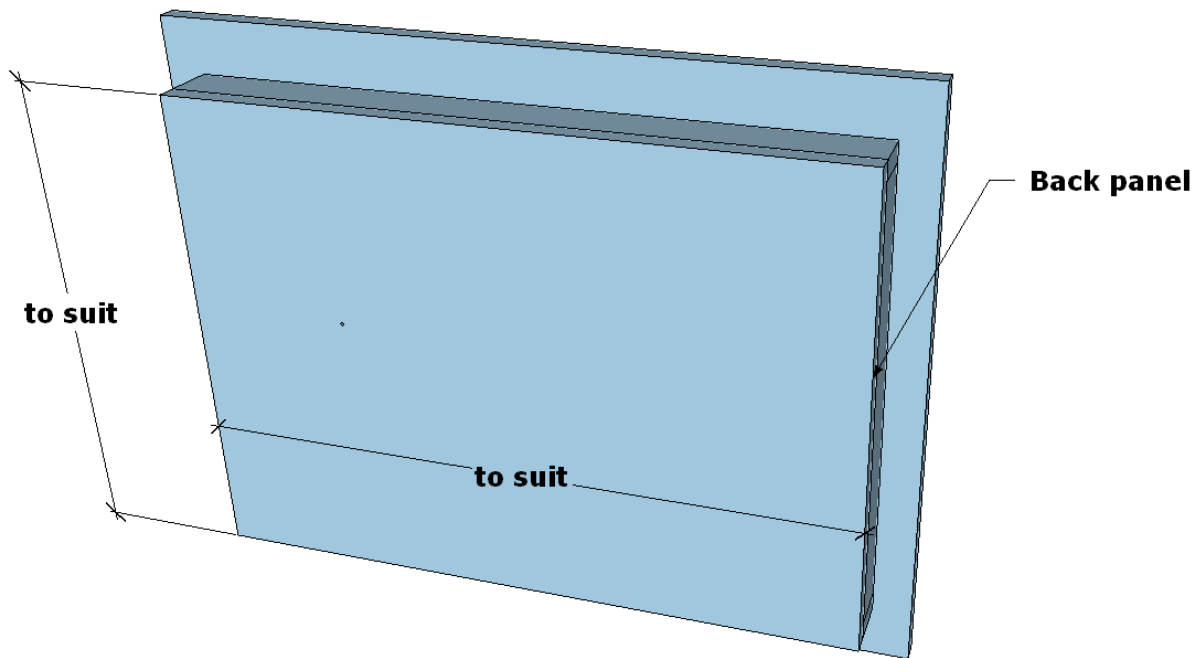
Step 2 – Install Frame to back side of front panel

- Attach using 2 1/2" construction screws & adhesive
- Maintain a fastener spacing of 6"- 8"



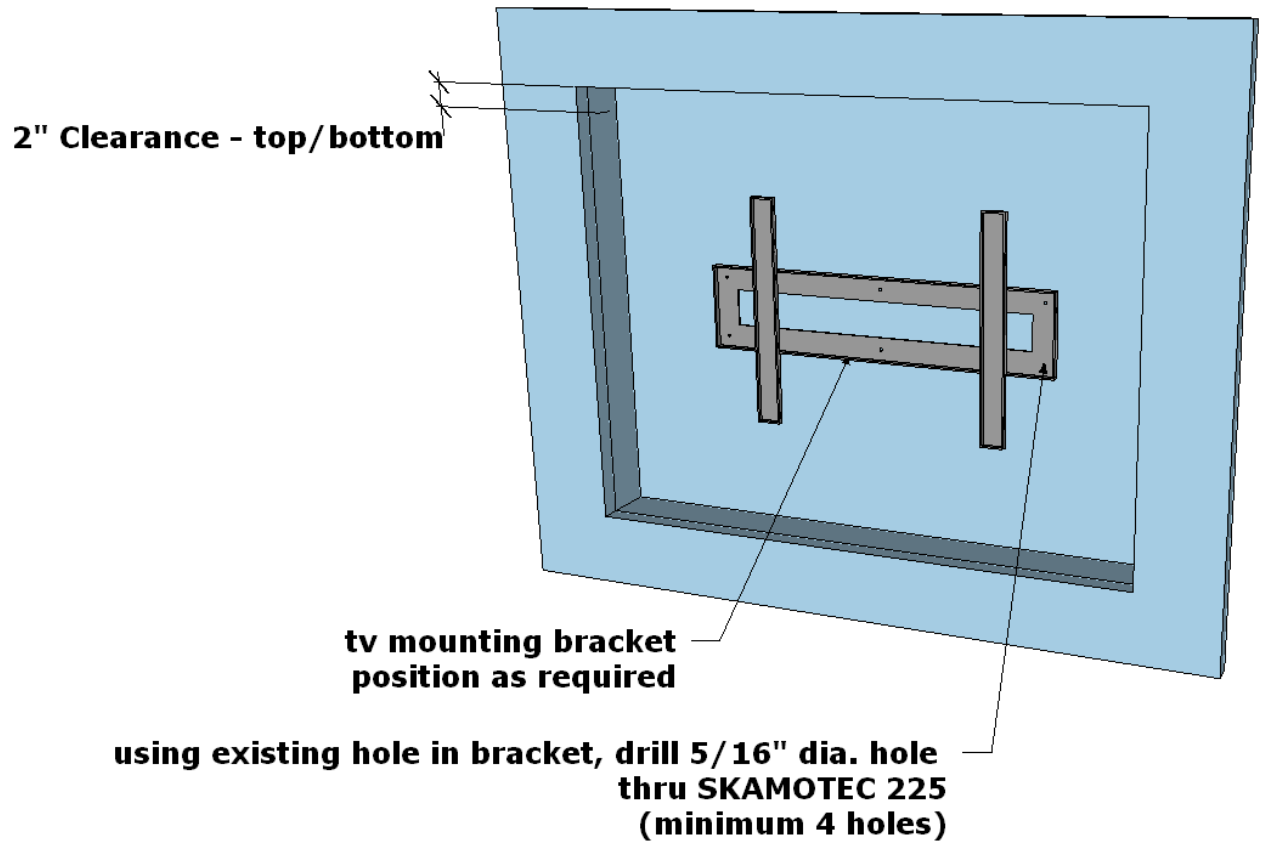
Step 3 – Install Support Frame

- Attach using 2 1/2" construction screws & adhesive
- Maintain a fastener spacing of 6"- 8"

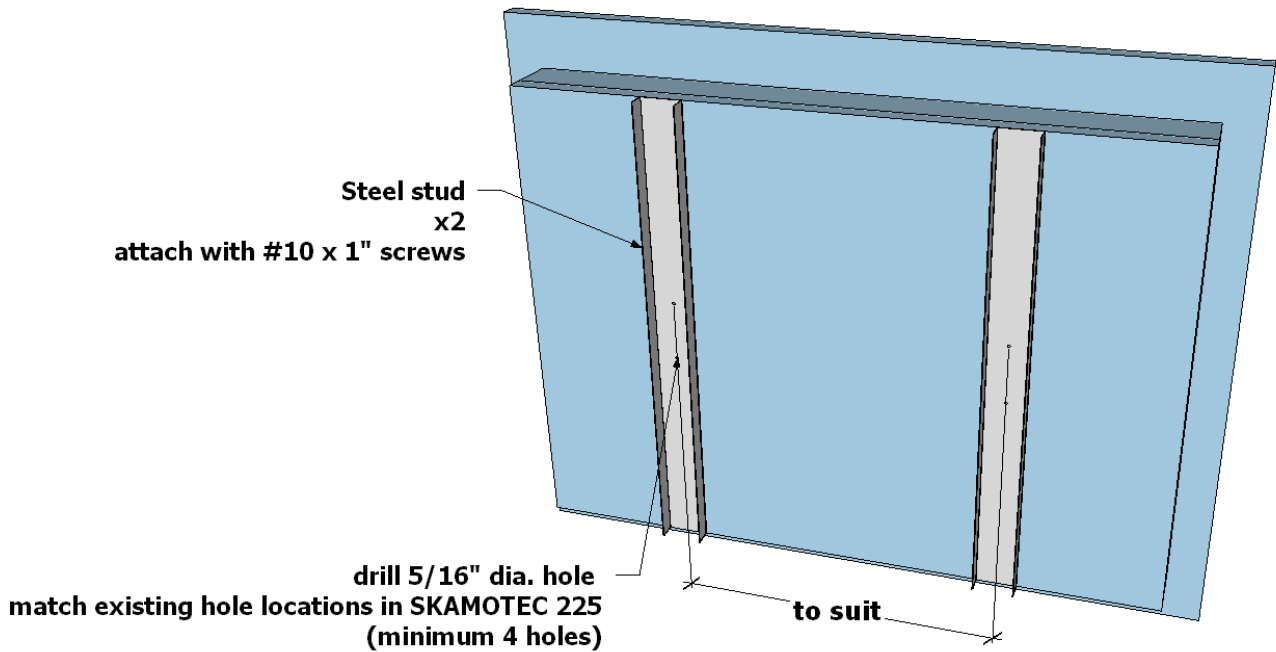


Step 4 – Install Back Panel

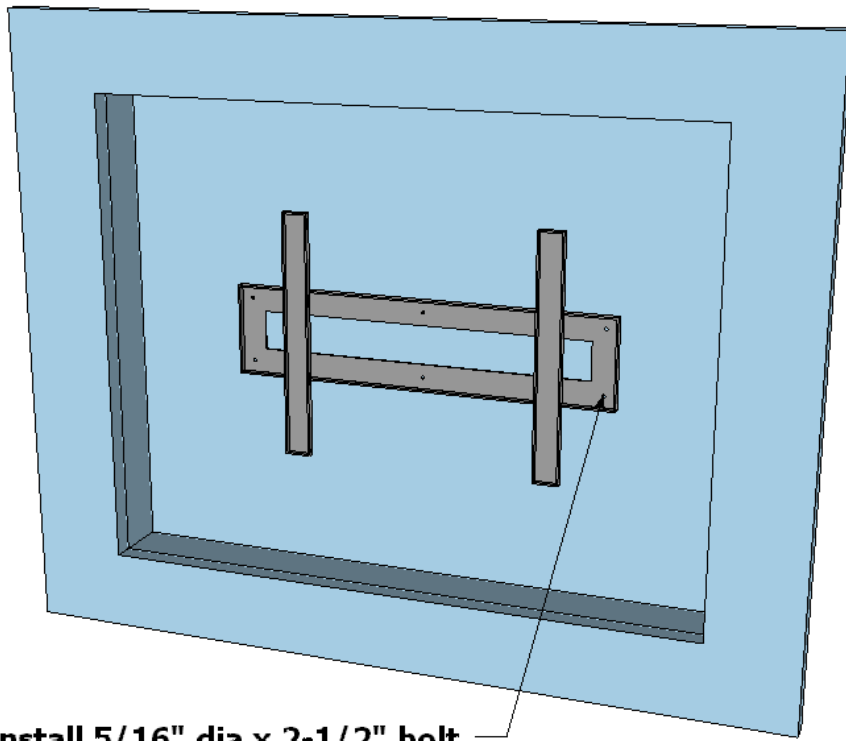
- Attach using 2 ½" construction screws & adhesive
- Maintain a fastener spacing of 6"- 8"



Step 5a- install TV mounting bracket- front side of panel



Step 5b - install metal studs on backside of panel



**Install 5/16" dia x 2-1/2" bolt
5/16" Fender Washer & Nut
x4**

